

# NJRC's CMOS SW Regulator Featuring the NJU7630

NJR  
NEWS

2005 48

March 1, 2005

**NJU7630**

## NJRC's SW Regulator Series

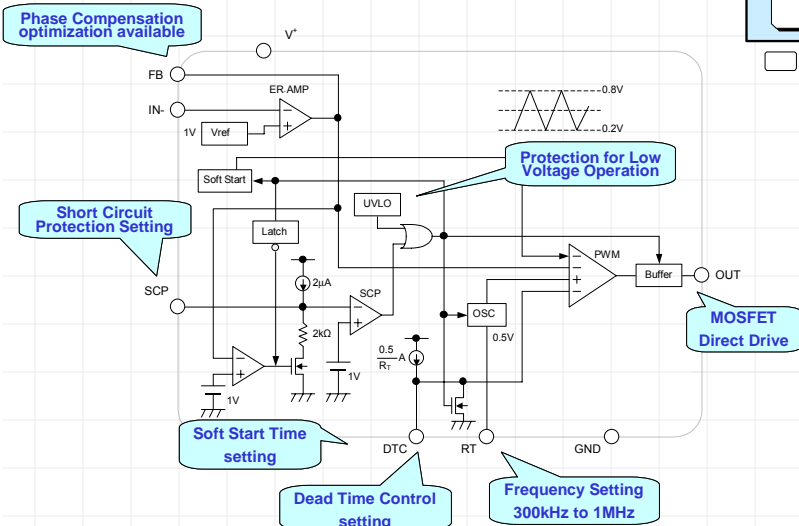
This newsletter talks about NJRC'S SW Regulator, the NJU7630.

### FEATURES

- **Low Operating Voltage Range:** 2.2V to 8.0V
- **Low Current Consumption:** 800 $\mu$ A(typ.)
- **High Efficiency:**  $\eta$  = 80 to 90%
- **High Speed Switching Frequency:** 300kHz to 1MHz
- **Soft Start:** 16ms(typ.) or adjustable via external part
- **Dead Time / Short Circuit Protection**  
can be set independently via external part.
- **Small and Thin Package:** TVSP8 (2.9x4.0x0.9mm)  
DMP8 (EIAJ SOIC)

### NJU7630 Block Diagram

All parameters can be optimized by using additional external components for design flexibility.

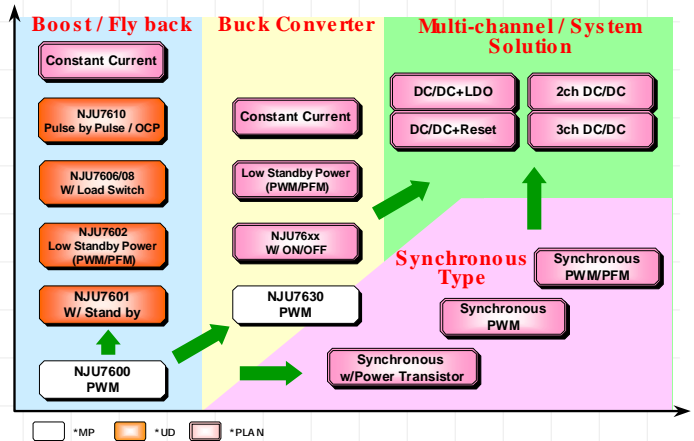


### APPLICATIONS

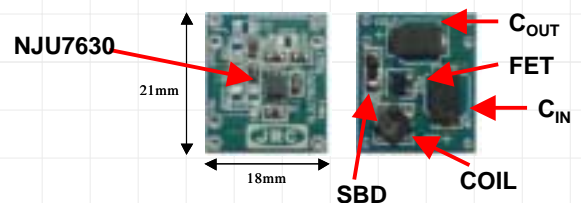
All the mobile products.

It is the optimal solution for the replacement of High Current LDOs.

### NJU76xx series Road Map



NJU7630 Evaluation Board is available



**JRC NJR CORPORATION**  
A SUBSIDIARY OF NEW JAPAN RADIO COMPANY, LTD.

198 Stauffer Blvd. San Jose, CA 95125

NJR CORPORATION offers Bipolar ICs, CMOS ICs, BiCMOS ICs and GaAs MMICs as well as Saw filters, covering North and South America to provide technical assistance and quick delivery for achieving customer satisfactions. For further information, please contact:

PHONE : (408) - 995-6200 or [WWW.NJR.COM](http://WWW.NJR.COM)

The World's Best Source for High Quality ICs using Bipolar, CMOS, BiCMOS, and GaAs Technologies as well as Saw Filters