

NJRC's LDO Line-up, featuring the NJM2845/46

NJR
NEWS

2004 **39**

July 19, 2004

NJM2845/46

NJRC Local LDO series

This newsletter talks about NJRC'S Local LDO, the NJM2845/46.

FEATURES

- Maximum Output Current: 800mA
- Low Dropout Voltage: 0.18V(typ.)
- High Precision Output: $\pm 1.0\%$
- High Ripple Rejection: 75dB(typ.) @f=1kHz
- Performance results with a 2.2 μ F ceramic capacitor
(only NJRC provides this kind of Performance)
- Low Noise Voltage: 45 μ Vrms
- Low Quiescent Current: 200 μ A

APPLICATIONS

DVD Player, Car Audio, TV
Printer, Facsimile etc.

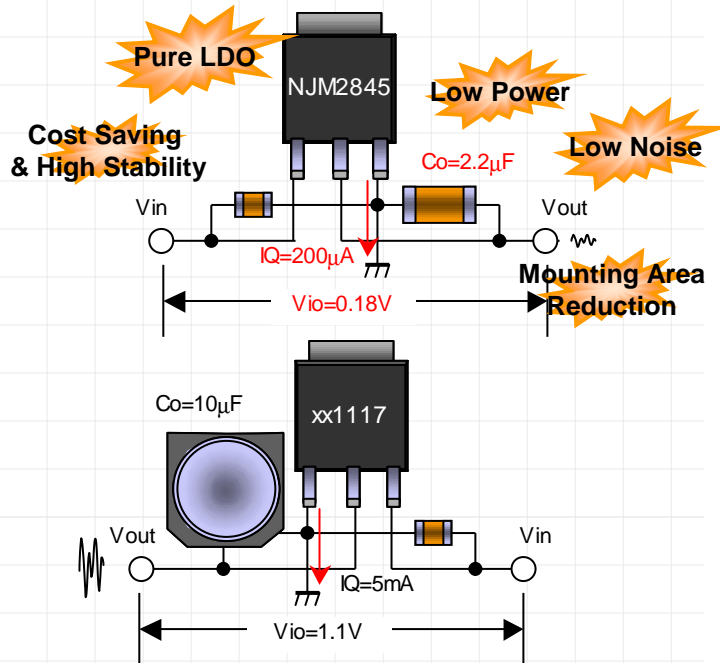
FUNCTIONS

- NJM2845 <3 Terminal>
- NJM2846 <with ON/OFF>

Comparison Table NJM2845/46 vs. xx1117

	NJM2845	NJM2846	LM1117(NS)	LT1117(LT)	LD1117(ST)
Dropout Voltage	0.18V(typ.)	0.18V(typ.)	1.1V(typ.)	1.0V(typ.)	1.1V(typ.)
PSRR	75dB (typ.) @Vi-Vo=1V	75dB (typ.) @Vi-Vo=1V	75dB (typ.) @Vi-Vo=3V	75dB (typ.) @Vi-Vo=3V	75dB (typ.) @Vi-Vo=3V
Output Noise Voltage	45 μ Vrms 10Hz < f < 80kHz	45 μ Vrms 10Hz < f < 80kHz	85 μ Vrms @Vo=2.85V 10Hz < f < 10kHz	85 μ Vrms @Vo=2.85V 10Hz < f < 10kHz	100 μ Vrms @Vo=2.85V 10Hz < f < 10kHz
Quiescent Current	200 μ A	200 μ A	5mA	5mA	5mA
Output capacitor	2.2 μ F Ceramic	2.2 μ F Ceramic	10 μ F Tantalum	10 μ F Tantalum	10 μ F Tantalum
Output Voltage Range	1.8V to 5.0V	1.8V to 5.0V	1.8/2.5/2.85/3.3/5.0 & Adjustable type	2.85/3.3/5.0 & Adjustable type	1.2/1.8/2.5/2.85/ 3.3/5.0 & Adjustable type
Package	TO-252-3	TO-252-5	SOT-223-3 TO-220-3/TO-252-3 TO-263-3	SOT-223-3 TO-252-3	TO-220FMTO-220 TO-252-3/SOT-223-3 SO-8
Others	-	With ON/OFF	Adjustable type needs 2 resistance	Adjustable type needs 2 resistance	Adjustable type needs 2 resistance

Comparison for Typical Circuit



NJR CORPORATION

A SUBSIDIARY OF NEW JAPAN RADIO COMPANY, LTD.

198 Stauffer Blvd. San Jose, CA 95125

NJR CORPORATION offers Bipolar ICs, CMOS ICs, BiCMOS ICs and GaAs MMICs as well as Saw filters, covering North and South America to provide technical assistance and quick delivery for achieving customer satisfactions. For further information, please contact:

PHONE : (408) - 995-6200 or WWW.NJR.COM

The World's Best Source for High Quality ICs using Bipolar, CMOS, BiCMOS, and GaAs Technologies as well as Saw Filters