

NJRC's Audio Selector IC series featuring

NJW1110/11

NJR
NEWS


2007 79

December 3, 2007

NJRC Audio Selector IC series

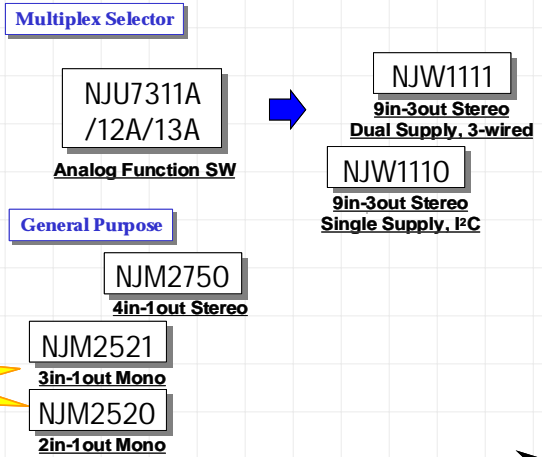
This newsletter talks about NJRC'S Audio Selector IC family.

DESCRIPTION

- Circuit: 9input / 3output, Stereo
- Operating Voltage: +7.5 to +15V (NJW1110)
±4.5 to ±7.5V(NJW1111)
- **Adjustable Gain Buffer**
- Package: SSOP32 
- Audio Performance: **THD: 0.0007%**
Output Noise: -116dBV
- I²C BUS Control(NJW1110)
- 3-Wired Serial Control(NJW1111)

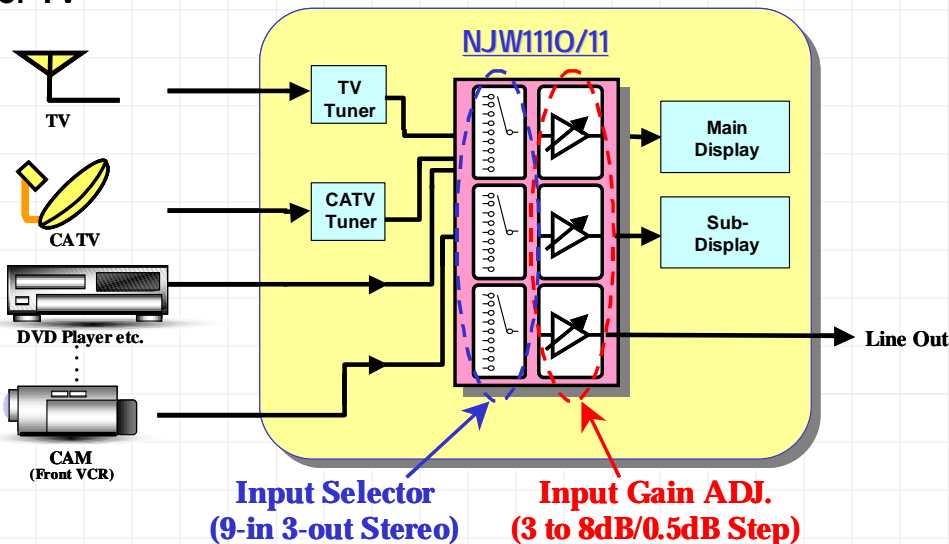
**Low Noise ,
Low Distortion**

ROAD MAP



EXAMPLE APPLICATION

For TV



JRC NJR CORPORATION
A SUBSIDIARY OF NEW JAPAN RADIO COMPANY, LTD.

198 Stauffer Blvd. San Jose, CA 95125

NJR CORPORATION offers Bipolar ICs, CMOS ICs, BiCMOS ICs and GaAs MMICs as well as Saw filters, covering North and South America to provide technical assistance and quick delivery for achieving customer satisfactions. For further information, please contact:

PHONE : (408) - 995-6200 or WWW.NJR.COM

The World's Best Source for High Quality ICs using Bipolar, CMOS, BiCMOS, and GaAs Technologies as well as Saw Filters