

# Chance to replace to NJM2135 from MC34119

**NJR**  
**NEWS**

2007 **78**

July 23, 2007

**NJM2135**

This newsletter talks about replacement to NJRC product from competitor products.

## ■ NJRC Alternative for the MOTOROLA MC34119

Benefits of the NJM2135 audio power amplifier over the MC34119:

- Wide Operating Voltage: +2.0 to +16.0V
- Low Quiescent Supply Current: 2.7mA (typ.)
- Very Low Shutdown Supply Current: **0.1uA** (typ.)
- Output Power Exceeds 250mW @V+=6.0V, RL=32 Ω
- Gain Range: GVD=0 to 43dB, Voice Band
- Load Impedance: 8 to 200 Ω
- Package Outline: DIP8, DMP8, EMP8, SSOP8 and VSP8

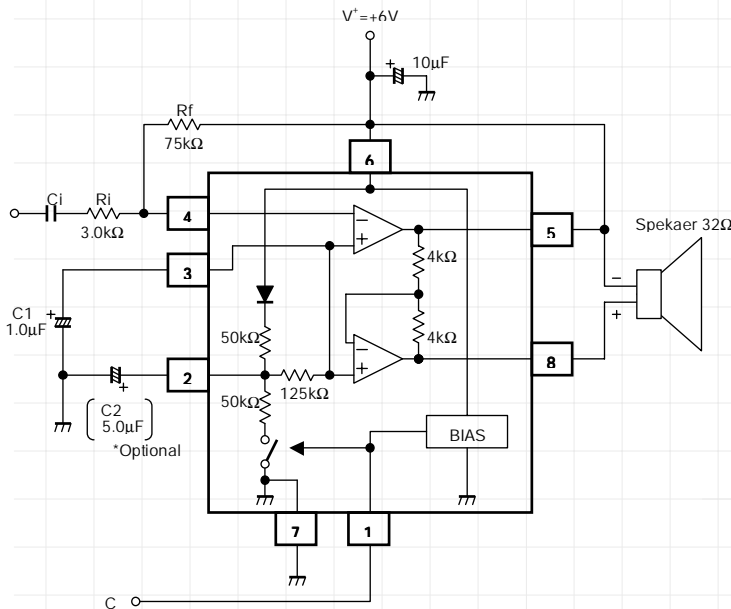
## ■ APPLICATIONS

For telephone applications  
such as speaker phone,  
Portable Navigation Devices,  
Answering machines,  
Hands-free car kits and so on.

**Competitor**  
**Motorola: MC34119**

Direct replacement

## ■ BLOCK DIAGRAM and APPLICATION CIRCUIT



## Audio Power Amplifier Line-up

	NJM386	NJM2070	NJM2073	NJM2076	NJM2113	NJM2135	NJM2149	NJM2770	NJU7084
Operating Voltage(V)	4-12	1.8-15	1.8-15	1-4.0	2-16	2-16	2-6	2-4.5	2.8-5.5
Output Power (mW)	V+=6V, 8Ω 250	V+=6V, 4Ω 500	V+=3V, 4Ω 300	V+=1.5V, 8Ω 90(BTL)	V+=6V, 32Ω 250	V+=6V, 32Ω 250	V+=3V, 32Ω 55	V+=3V, 8Ω 250	V+=5V, 8Ω 1000
Shutdown Function	No	No	No	No	Yes	Yes	Yes	Yes	Yes
Operating Current typ.(mA)	3.0	4.0	2.7(BTL) 6.0(Stereo)	4.7	2.7	2.7	2.2	2.0	2.5
Shutdown Current Typ. (uA)					72	0.1	0.1	0.1	2.0
Package	DIP8, DMP8, SIP8	DIP8, DMP8,	DIP8, DMP8,	DIP8, DMP8,	DIP8, DMP8, SIP8 SSOP8 VSP8	DIP8, DMP8, SIP8 SSOP8 VSP8	DIP8, DMP8, SIP8 VSP8 TVSP8	VSP8, TVSP8	VSP8, DMP24
Other			BTL or Stereo	BTL or Stereo	BTL/Gain adjustable	BTL/Gain adjustable	BTL/Gain adjustable	BTL/Gain adjustable	BTL/Gain adjustable

**NJM2135 may be able to drive a piezo speaker (parallel) that has low capacitance value. In this case, you should consult our sales before using.**

**JRC** **NJR CORPORATION**  
A SUBSIDIARY OF NEW JAPAN RADIO COMPANY, LTD.

198 Stauffer Blvd. San Jose, CA 95125

NJR CORPORATION offers Bipolar ICs, CMOS ICs, BiCMOS ICs and GaAs MMICs as well as Saw filters, covering North and South America to provide technical assistance and quick delivery for achieving customer satisfactions. For further information, please contact:

PHONE : (408) - 995-6200 or [WWW.NJR.COM](http://WWW.NJR.COM)

The World's Best Source for High Quality ICs using Bipolar, CMOS, BiCMOS, and GaAs Technologies as well as Saw Filters