

NJRC's Audio IC Line-up, featuring the NJW1124

NJR
NEWS

2007 **77**

May 2, 2007

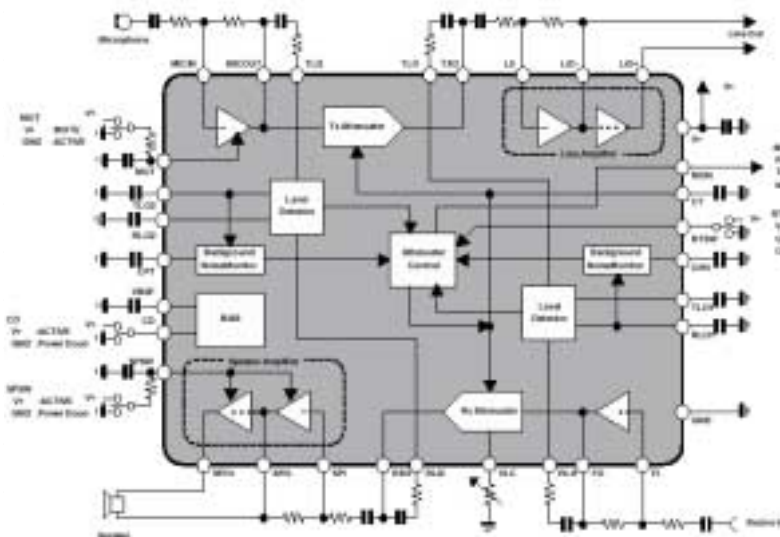
NJW1124

This newsletter talks about NJRC'S **Voice Switched Speakerphone**, the NJW1124.

■ FEATURES

- Operating Voltage Range: **2.7 to 5.5V**
- Attenuator Gain Range between Transmit and Receive **52dB**
- 4-point Signal Sensing
- Microphone Amplifier with Mute Function
- Background Noise Monitor for each path
- Volume Control Range: **40dB**
- Microphone and Receive Amplifiers pinned out for Flexibility
- Chip disable Pin powers down the entire IC excluding the Speaker Amplifier
- Speaker switch Pin power down the Speaker Amplifier
- With **"Built-In Speaker Amplifier"**
- Force to Receive, Transmit, or Idle modes
- Mode – watching Monitor
- Package Outline: **SSOP32**

■ BLOCK DIAGRAM



■ APPLICATIONS

- Main, battery or line-powered telephone sets,
- Cordless telephones,
- Answering machines,
- Fax machines,
- Hands-free car kits and so on.

Competitors

Motorola: MC34118

ATMEL: U4082B

Philips: TEA1095



NJR CORPORATION

A SUBSIDIARY OF NEW JAPAN RADIO COMPANY, LTD.

198 Stauffer Blvd. San Jose, CA 95125

NJR CORPORATION offers Bipolar ICs, CMOS ICs, BiCMOS ICs and GaAs MMICs as well as Saw filters, covering North and South America to provide technical assistance and quick delivery for achieving customer satisfactions. For further information, please contact:

PHONE : (408) - 995-6200 or WWW.NJR.COM

The World's Best Source for High Quality ICs using Bipolar, CMOS, BiCMOS, and GaAs Technologies as well as Saw Filters