

NJRC's OPamp Line-up, featuring the NJM274x series

NJR
NEWS

2006 **76**

September 22, 2006

NJM2748/48A/49/49A

NJRC Low Offset, Low Drift JFET Input OPamp series

This newsletter talks about NJRC'S Low Offset, Low Drift JFET Input OPamp , the NJM274x.

■ FEATURES

- Low Operating Voltage: $V_{opr} = \pm 6.0V$ to $\pm 16V$
- Low Offset Voltage: $V_{IO} = 2.0mV$ max. (NJM2748/A)
 $V_{IO} = 2.5mV$ max. (NJM2749/A)
- Low Offset Voltage: $\Delta V_{IO} / \Delta T = 6\mu V / ^\circ C$ typ.
(NJM2748/49)
 $\Delta V_{IO} / \Delta T = 20\mu V / ^\circ C$ max.
(NJM2748A/49A)
- Low Input Bias Current: $I_B = 200pA$ max. @ $T_a = 25^\circ C$
- Voltage Gain: $A_v = 100dB$ typ.
- Slew Rate: $SR = 13.0V / \mu s$ typ.
- Bipolar Technology
- Package: DIP8, DMP8

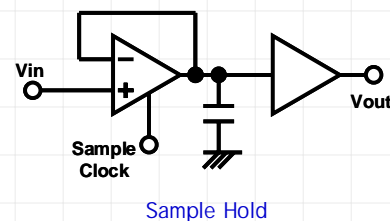
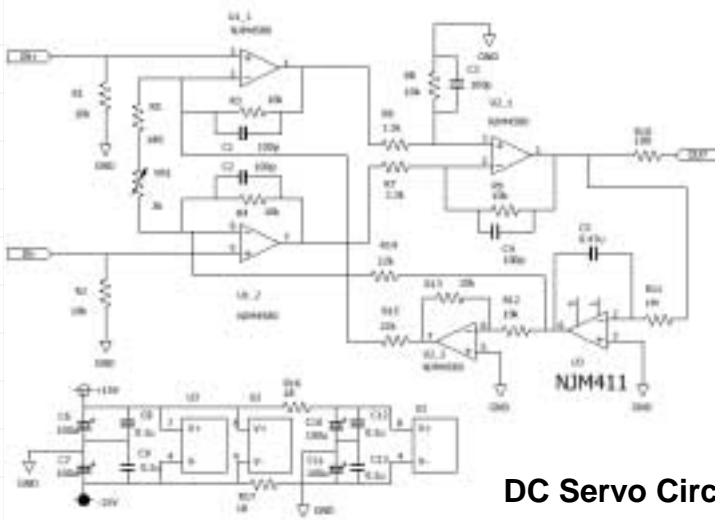
■ APPLICATIONS

Instrumentation Amplifier,
Industrial Equipments,
Measurement Equipments,
and so on.

Target
NS: LF411/12
ADI: AD711/12

Direct Replacement of NJM062/072B/082B and
Upper Compatible of NJM062/072B/082B

■ EXAMPLE APPLICATION CIRCUITS



**Other: High-Speed Integrator
High-Speed Buffer**

JRC **NJR CORPORATION**
A SUBSIDIARY OF NEW JAPAN RADIO COMPANY, LTD.

198 Stauffer Blvd. San Jose, CA 95125

NJR CORPORATION offers Bipolar ICs, CMOS ICs, BiCMOS ICs and GaAs MMICs as well as Saw filters, covering North and South America to provide technical assistance and quick delivery for achieving customer satisfactions. For further information, please contact:

PHONE : (408) - 995-6200 or WWW.NJR.COM

The World's Best Source for High Quality ICs using Bipolar, CMOS, BiCMOS, and GaAs Technologies as well as Saw Filters