

NJRC's Audio IC for Portable Audio Promoting the NJW1200

NJR
NEWS

2006 **74**

June 30, 2006

NJW1200



NJRC Audio IC series for Portable Audio

This newsletter talks about NJRC'S Audio IC for Portable Audio: NJW1200.

FEATURES

Low-Voltage 2-Channel Electronic Volume with ealaBASS

- **Low Operating Voltage:** 2.7 to 5.5V
- **Low Consumption Current:** 3mA typ.
- **Power Save Function:** 120µA typ.
- I²C BUS Interface
- ealaBASS (Dynamic Bass Boost)
- **Low Output Noise:** -100dBV typ.
- **Low Distortion:** 0.07% typ.
- **Main Volume:** 0 to -78dB / 2dB step, Mute
- **2 stereo Inputs Selector (Differential Input)**
- **2nd Order HPF**
- **Bi-CMOS Technology**
- **Package Outline:** SSOP32

Under Development
ES: Sep '06

APPLICATIONS:

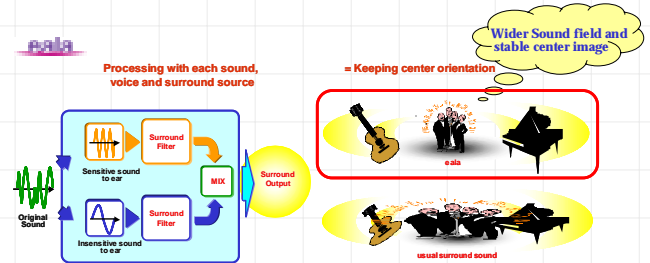
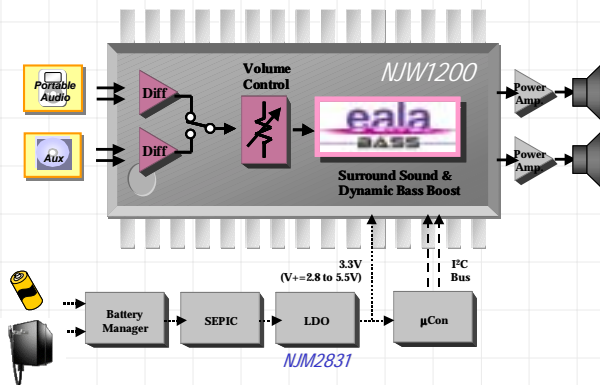
For Portable Audio Equipments
(especially battery-operated)
and others

**Suitable for
Portable Audio Equipment**

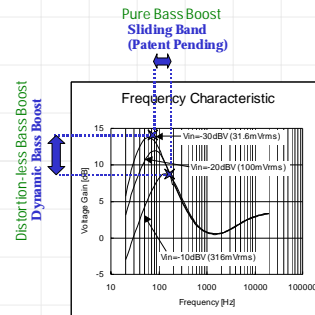
What is eala / ealaBASS Technology ?

- eala reproduces natural highly clear surround-

1 chip Audio Processor for Portable Audio System



The eala bass is provides graceful bass sound with low distortion.
The eala bass is well-matched eala 3D surround.



- ✓ **Small Speaker**
- ✓ **Lack of Bass Sound**
- ✓ **Bass Compensation by eala BASS**

Customizable by External Parts

JRC NJR CORPORATION
A SUBSIDIARY OF NEW JAPAN RADIO COMPANY, LTD.

198 Stauffer Blvd. San Jose, CA 95125

NJR CORPORATION offers Bipolar ICs, CMOS ICs, BiCMOS ICs and GaAs MMICs as well as Saw filters, covering North and South America to provide technical assistance and quick delivery for achieving customer satisfactions. For further information, please contact:

PHONE : (408) - 995-6200 or WWW.NJR.COM

The World's Best Source for High Quality ICs using Bipolar, CMOS, BiCMOS, and GaAs Technologies as well as Saw Filters