

NJRC's Audio IC for Car Application featuring the NJM2792, NJM2794

NJR
NEWS

2006 72

June 30, 2006

NJM2792, NJM2794

NJRC Audio IC series for Car Application

This newsletter talks about NJRC'S Audio IC for Car Application: NJM2792, NJM2794.

FEATURES

NJM2792:

QUAD CAR AUDIO BOOST AMPLIFIER

- Operating Voltage 6 to 12V
- Operating Current 16mA typ.
- Roll off High Frequency 100kHz typ. , at $G_v=-1\text{dB}$
- Maximum Output Voltage 5Vrms typ. , at $f=100\text{kHz}$
- Boost Output Function $V_o=14\text{Vpp}$, at $V^+=9\text{V}$
- Supply Voltage Rejection Ratio 50dB typ.
- Low Total Harmonic Distortion 0.003% typ.
- Low Noise Output Voltage 5 μVrms typ.
- Bipolar Technology
- Package Outline: SSOP20

NJM2794:

GROUND NOISE ISOLATION AMPLIFIER

- Operating Voltage 4.3 to 13V
- Operating Current 11mA typ.
- Common mode rejection ratio CMRR=60dB typ.
- Maximum Output Voltage 2Vrms min., @ THD=0.1%
- Supply Voltage Rejection Ratio 60dB typ.
- Total Harmonic Distortion 0.002% typ.
- Noise Output Voltage 1.3 μVrms typ.
- Bipolar Technology
- Package Outline: TVSP10, SSOP14

APPLICATIONS:

Car, PC and so on

For audio applications that have long connections between main unit and other components

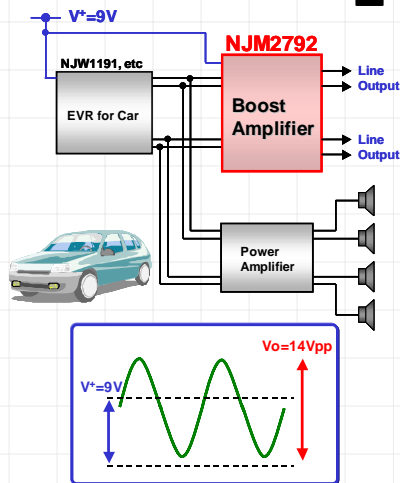


Target Competitor:

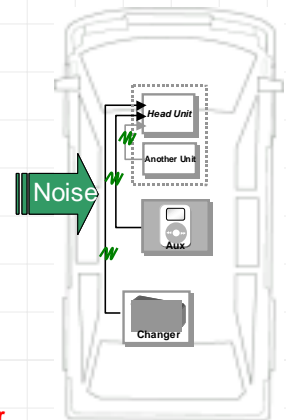
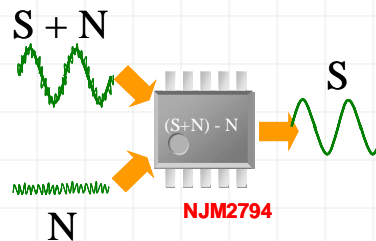
ROHM: BA3121

TOSHIBA: TA2050

APPLICATION EXAMPLES



Wide Frequency Response
-5Vrms typ. , at $f=100\text{kHz}$ -



ASSOCIATED PRODUCTS

NJM2160B: Dual Car Audio Boost Amplifier

NJM2505: Single Isolation Amplifier for Video

NJM2524: 2-input 1-output 3-circuit Video Switch w/ Isolation Amplifier

NJM2526: 4-input 1-output Video Switch w/ Isolation Amplifier

JRC NJR CORPORATION
A SUBSIDIARY OF NEW JAPAN RADIO COMPANY, LTD.

198 Stauffer Blvd. San Jose, CA 95125

NJR CORPORATION offers Bipolar ICs, CMOS ICs, BiCMOS ICs and GaAs MMICs as well as Saw filters, covering North and South America to provide technical assistance and quick delivery for achieving customer satisfactions. For further information, please contact:

PHONE : (408) - 995-6200 or WWW.NJR.COM

The World's Best Source for High Quality ICs using Bipolar, CMOS, BiCMOS, and GaAs Technologies as well as Saw Filters