

# NJRC's GaAs MMIC Market's Hottest LNA

**NJR**  
**NEWS**

2006 **66**

March 8, 2006

## NJG1107HB3/KB2

### NJG1107 GaAs MMIC LNA

NJRC is a leader in GaAs MMIC technology.

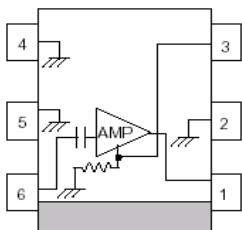
#### General Description

The NJG1107 is a Low Noise Amplifier GaAs MMIC designed for GPS, Digital cellular phone, and Japanese PHS handsets. This amplifier provides low noise figure, high gain and high IP3 operated by single low positive power supply. This amplifier includes internal self-bias circuit and input DC blocking capacitor.

This amplifier can be tuned in the frequency range of 1.5GHz-2.4GHz.

#### Pin Configuration

KB2 Type  
(Top View)



#### Pin Connection

1. RF<sub>OUT</sub>
2. GND
3. EXTCAP
4. GND
5. GND
6. RF<sub>IN</sub>

NOW Available !

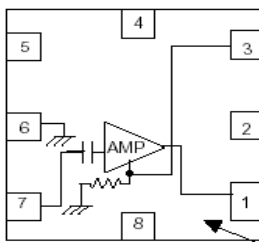
#### Features

- Low voltage operation
- Low current consumption
- High small signal gain
- Low noise figure
- High input IP3
- Ultra small & ultra thin package

#### Applications

- Global Positioning System (GPS)
- Bluetooth and Wireless LAN
- Personal Handy phone System (PHS)

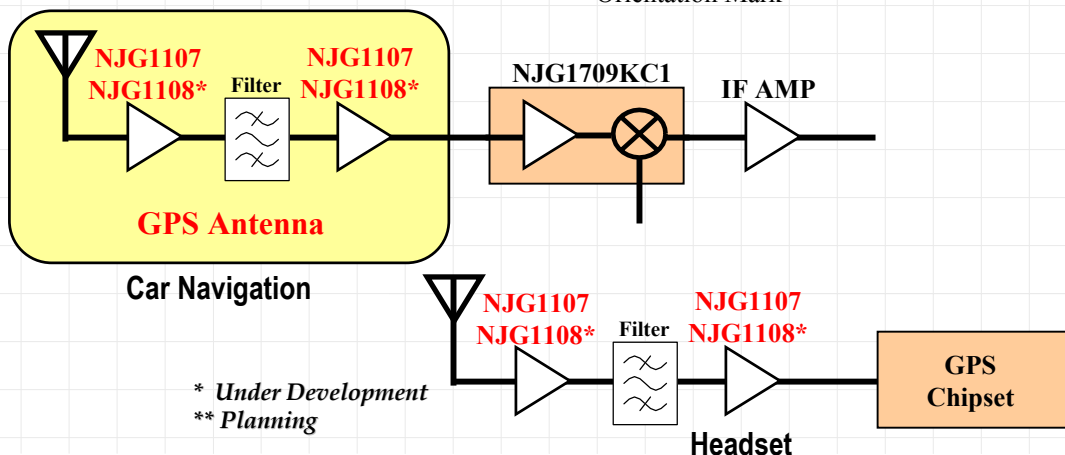
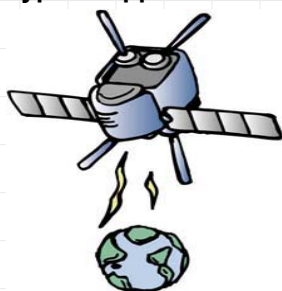
HB3 Type  
(Top View)



#### Pin Connection

1. RF<sub>OUT</sub>
2. N/C
3. EXTCAP
4. N/C
5. N/C
6. GND
7. RF<sub>IN</sub>
8. N/C

#### Typical Application



**JRC** **NJR CORPORATION**  
A SUBSIDIARY OF NEW JAPAN RADIO COMPANY, LTD.

198 Stauffer Blvd. San Jose, CA 95125

NJR CORPORATION offers Bipolar ICs, CMOS ICs, BiCMOS ICs and GaAs MMICs as well as Saw filters and Microwave Doppler Modules, covering North and South America to provide technical assistance and quick delivery for achieving customer satisfactions. For further information, please contact:

**PHONE : (408) - 995-6200, (866) NJR-CORP or WWW.NJR.COM**

The World's Best Source for High Quality ICs using Bipolar, CMOS, BiCMOS, GaAs MMICs, as well as Saw filters & Microwave Sensors