

NJRC's Wide Band Video IC featuring the NJW135x series

NJR
NEWS

2006 **62**

March 8, 2006

NJW135x series

NJRC Low Voltage Video Amplifier(Driver) series

This newsletter talks about NJRC'S **Low Voltage Video Amplifier(Driver) NJW135x** series.

FEATURES

- Operating Voltage **2.3 to 3.3V**
- **Output coupling capacitor is not necessary**
- 6dB amplifier NJW1351
- 9dB amplifier NJW1352
- 12dB amplifier NJW1350
- 16dB amplifier NJW1353
- **Internal 75Ω Driver Circuit (2-system drive)**
- Internal LPF 33dB at 19MHz typ.
- **Power Save** Circuit
- Bi-CMOS Technology
- Package Outline TVSP8, SON10

APPLICATIONS

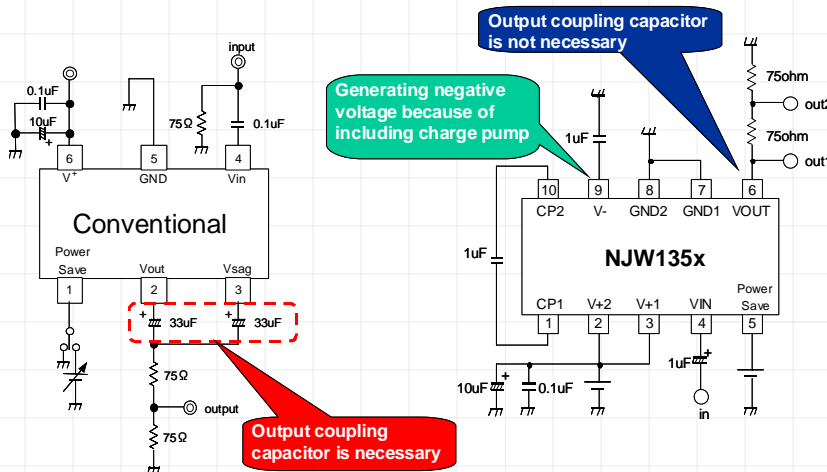
For DSC, DVC,
Cellular Phone, Security camera



NJW135x are very small packages, so you can downsize the space requirement of DSC, DVC and other portable video equipment.

Advantage of NJW135x series

NJW135x series can remove the output coupling capacitor.



JRC **NJR CORPORATION**
A SUBSIDIARY OF NEW JAPAN RADIO COMPANY, LTD.

198 Stauffer Blvd. San Jose, CA 95125

NJR CORPORATION offers Bipolar ICs, CMOS ICs, BiCMOS ICs and GaAs MMICs as well as Saw filters, covering North and South America to provide technical assistance and quick delivery for achieving customer satisfactions. For further information, please contact:

PHONE : (408) - 995-6200 or WWW.NJR.COM

The World's Best Source for High Quality ICs using Bipolar, CMOS, BiCMOS, and GaAs Technologies as well as Saw Filters