

Class-D Switching Drivers

For Complete Digital Audio Solution

NJR
NEWS

2002

5

August 20, 2002

NJU8711 / NJU8713

Class-D Switching Drivers, NJU8711 and NJU8713, Achieve Long Battery Life for Portable Products

Complete digital audio solutions are now appearing on the audio market. This complete solution suppresses distortion and noise while transmitting data, and achieves high power-efficiency with less heat sinking requirement.

Most audio applications are using digital media, such as CD, MD, DVD, etc. However, the audio amplifiers at the final stage of conventional applications have been using analog technology. Now that most of the audio DSPs and synthesizer LSIs with PWM or PDM 1-bit stream have become mainstream, they allow digital sound to run in parallel with the analog sound, making the class-D driver an essential part of the design.

The NJU8711 and NJU8713 are able to receive the PWM or PDM 1-bit stream and be configured as the class-D system with simple external LC filters. The class-D driver achieves high output-efficiency, which leads to long battery life in battery-powered applications.

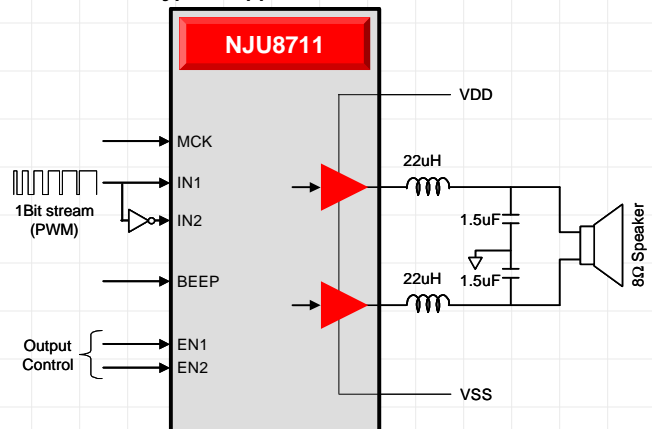
The NJU8711 comes in an SSOP-10 package, and the NJU8713 in an SSOP-14. The NJU8713, with separate power lines for logic and output, is well suited for power-conscious applications.

Applications

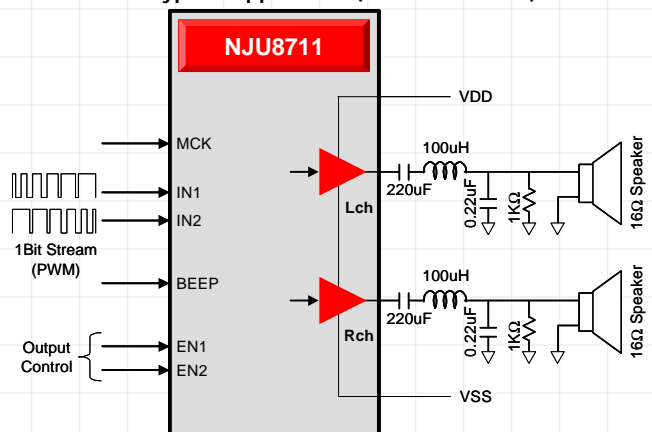
- Portable Digital Audio Applications
- Portable CD Players
- Portable MP3 Players
- PDAs
- Digital Voice Recorders
- Digital Cameras
- Cell Phones
- Toys

NOW Available !

NJU8711 Typical Application (BTL Connection)



NJU8711 Typical Application (OTL Connection)



	NJU8711	NJU8713
Output Power	50mW/Ch at 3V into 16Ω	10mW/Ch at 1.8V into 32Ω
Operating Voltage	2.0V to 3.6V	1.7V to 2.7V for Logic 1.7V to VDD for Output

JRC **NJR CORPORATION**
A SUBSIDIARY OF NEW JAPAN RADIO COMPANY, LTD.

198 Stauffer Blvd. San Jose, CA 95125

NJR CORPORATION offers Bipolar ICs, CMOS ICs, BiCMOS ICs and GaAs MMICs as well as Saw filters, covering North and South America to provide technical assistance and quick delivery for achieving customer satisfactions. For further information, please contact:

PHONE : (408) - 995-6200 or WWW.NJR.COM

The World's Best Source for High Quality ICs using Bipolar, CMOS, BiCMOS and GaAs Technologies and Saw filters