

# NJR Microwave Doppler Sensor Modules X-BAND (10 GHz)

**NJR**  
**NEWS**

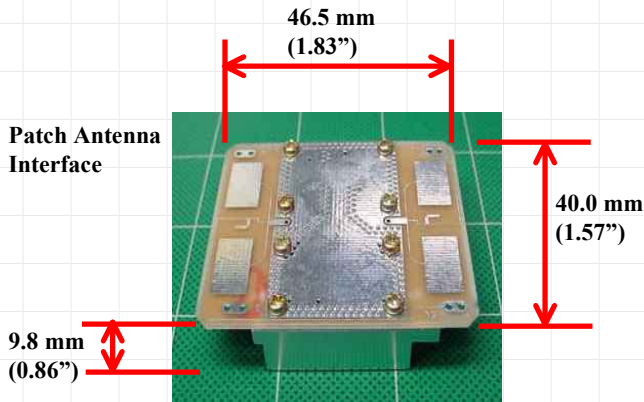
2005 **46**

January 13, 2005

**X-BAND (10 GHz)**

## NJR Doppler Modules

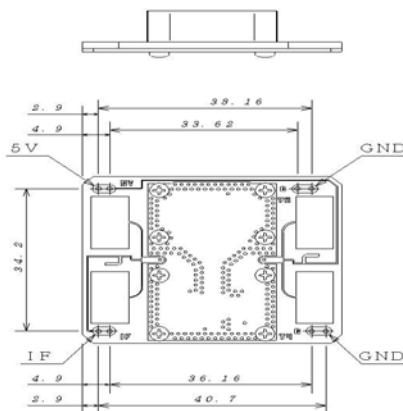
### X-Band Doppler MIC Type



### Applications

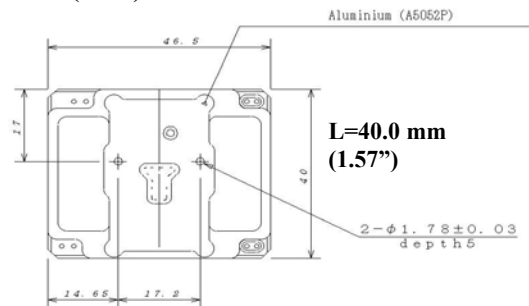
- Safety, Energy conservation, Security, and other applications.

### Outline drawing



H=9.8 mm  
(0.86")

W=46.5 mm  
(1.83")



Unit: mm

### Features

- Structure integrated patch antenna
- Compliance with CE regulation
- Second Harmonics: 1 micro watt maximum
- Detection Range: maximum detection distance is 30 meters.
- Realization of miniaturization by 20%, compared to our previous product
- Low Current Drain: 30 mA maximum (DC+5V)
- Wide Operating Temperature Range (-30 to +55 degrees C)

### JRC X-Band Doppler Modules Offering

Model No	RF Freq. (GHz)	Model No	RF Freq. (GHz)
NJR 4175	10.525	NJR4178	10.525
NJR 4176	9.900	NJR 4181	9.350
NJR 4177	10.687		

**NOW Available!**

**JRC NJR CORPORATION**  
A SUBSIDIARY OF NEW JAPAN RADIO COMPANY, LTD.

198 Stauffer Blvd. San Jose, CA 95125

NJR CORPORATION offers Bipolar ICs, CMOS ICs, BiCMOS ICs and GaAs MMICs as well as Saw filters, covering North and South America to provide technical assistance and quick delivery for achieving customer satisfactions. For further information, please contact us and ask for applications support:

**PHONE : (408) 995-6200, (866) NJR-CORP or WWW.NJR.COM**

The World's Best Source for High Quality ICs using Bipolar, CMOS, BiCMOS and GaAs Technologies and Saw filters