

Two Channel Stepper Motor Driver

45V, 1A

NJR
NEWS

2004 **45**

December 15, 2004

NJM2673

Two Channel Stepper Motor Driver

The NJM2673 is a stepper motor driver, which consists of an LS-TTL compatible logic input stage, off time control circuits, a pair of high power H-bridges, and protection diodes.

The output current is up to 1000mA per channel.

The NJM2673 has a small number of external components which makes it easier for complete control and the driving unit of the stepper motor systems.

Features

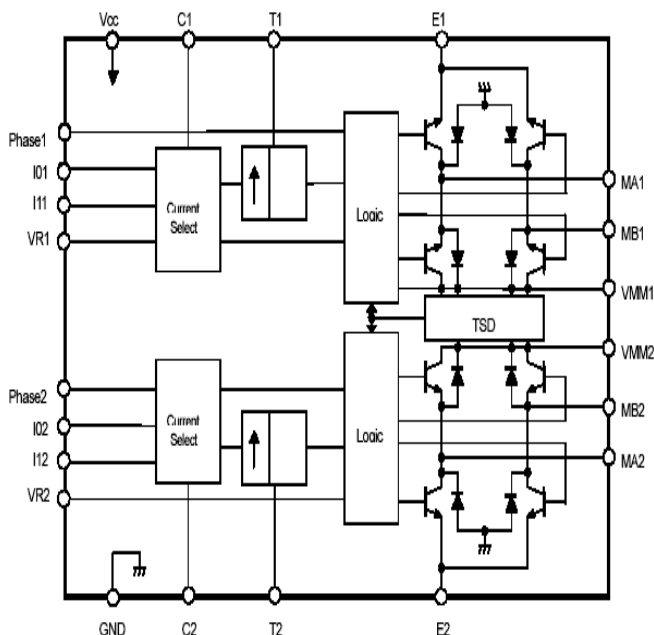
- Switched mode bipolar constant current drive
- Wide voltage range 4 to 45V
- Wide range of current control 5 to 1000mA
- Half- step and full-step operation
- Thermal overload protection
- Package EMP24

Applications

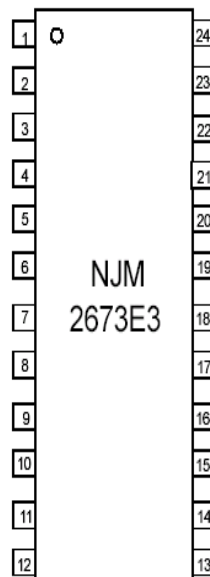
- General DC motor applications

NOW Available !

NJM2673 Block Diagram



Pin Connection



Pin Description

- Pin1: Vcc
- Pin2,24: T1,T2 Clock oscillator
- Pin3,23: VR1,VR2 Ref voltage
- Pin4,22: Phase1, phase2
- Pin5,8,20,21: I11,I01,I02,I12 Logic inputs.
- Pin6,7,18,19: GND.
- Pin9,13,14,17: MB1, MA1, MA2,MB2 Motor outputs.
- Pin10,16: C1,C2 Comparator input.
- Pin11,15: E1, E2 Common emitter.
- Pin12: VMM Motor supply voltage.

JRC **NJR CORPORATION**
A SUBSIDIARY OF NEW JAPAN RADIO COMPANY, LTD.

198 Stauffer Blvd. San Jose, CA 95125

NJR CORPORATION offers Bipolar ICs, CMOS ICs, BiCMOS ICs and GaAs MMICs as well as Saw filters, covering North and South America to provide technical assistance and quick delivery for achieving customer satisfactions. For further information, please contact us and ask for applications support:

PHONE : (408) 995-6200, (866) NJR-CORP or WWW.NJR.COM

The World's Best Source for High Quality ICs using Bipolar, CMOS, BiCMOS and GaAs Technologies and Saw filters