

# NJRC GaAs MMIC Mixers

For PDC, PHS, GPS, CDMA, Bluetooth, and Wireless LAN Applications

**NJR**  
**NEWS**

2002 **20**

December 31, 2002

## NJRC GaAs MMIC Mixers

### NJRC GaAs MMIC Mixers

NJRC is a leader in GaAs MMIC Mixers.

#### Features

- Low voltage operation
- Low current consumption
- High conversion gain
- Low noise figure
- High 3<sup>rd</sup> order Intercept Point (IP3)
- Packaging (Different sizes)

**Reminder:** Don't forget to consider our GaAs LNAs & Front-Ends. Also our SAW filters.

**NOW Available!**

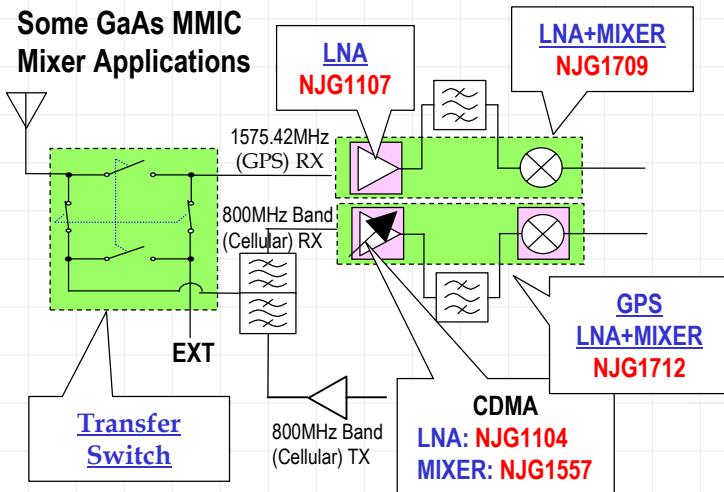
#### Mixers

Type	Function	Application
NJG1550F / 51F	Mixer	PDC1.5G, PHS
NJG1552F / 53F	Mixer	PDC1.5G, PHS
NJG1555KB2	Mixer	PDC800, CDMA One
NJG1556KB2	Mixer	PDC1.5G, PHS, GPS, Bluetooth, Wireless LAN
NJG1557KB2	Mixer	CDMA One
NJG1559 / 60PB	Dual Mixer	PDC Dual Band (Packet)

#### Applications

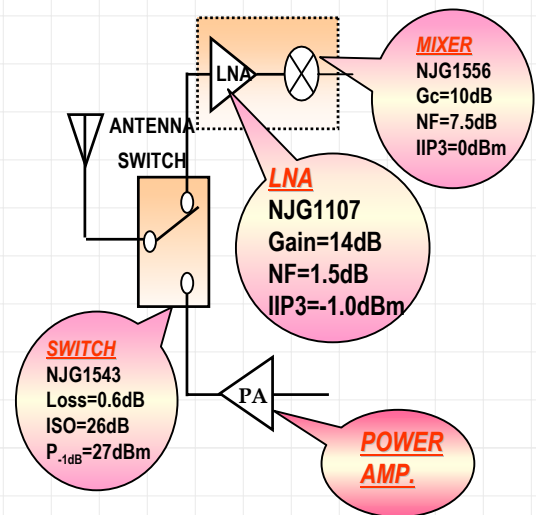
- Pacific Digital Cellular (PDC)
- Code-Division Multiple Access (CDMA)
- Personal Handy phone System (PHS)
- Global Positioning System (GPS)
- Bluetooth and Wireless LAN

#### Some GaAs MMIC Mixer Applications



#### Code-Division Multiple Access (CDMA) (Tri-mode)

#### Some GaAs MMIC Mixer Applications



#### Bluetooth

**JRC** **NJR CORPORATION**  
A SUBSIDIARY OF NEW JAPAN RADIO COMPANY, LTD.

198 Stauffer Blvd. San Jose, CA 95125

NJR CORPORATION offers Bipolar ICs, CMOS ICs, BiCMOS ICs and GaAs MMICs as well as Saw filters, covering North and South America to provide technical assistance and quick delivery for achieving customer satisfactions. For further information, please contact:

PHONE : (408) - 995-6200 or [WWW.NJR.COM](http://WWW.NJR.COM)

The World's Best Source for High Quality ICs using Bipolar, CMOS, BiCMOS and GaAs Technologies and Saw filters