

Three-Phase DC Brushless Motor Control IC

NJR
NEWS

2002

12

December 31, 2002

NJW4302

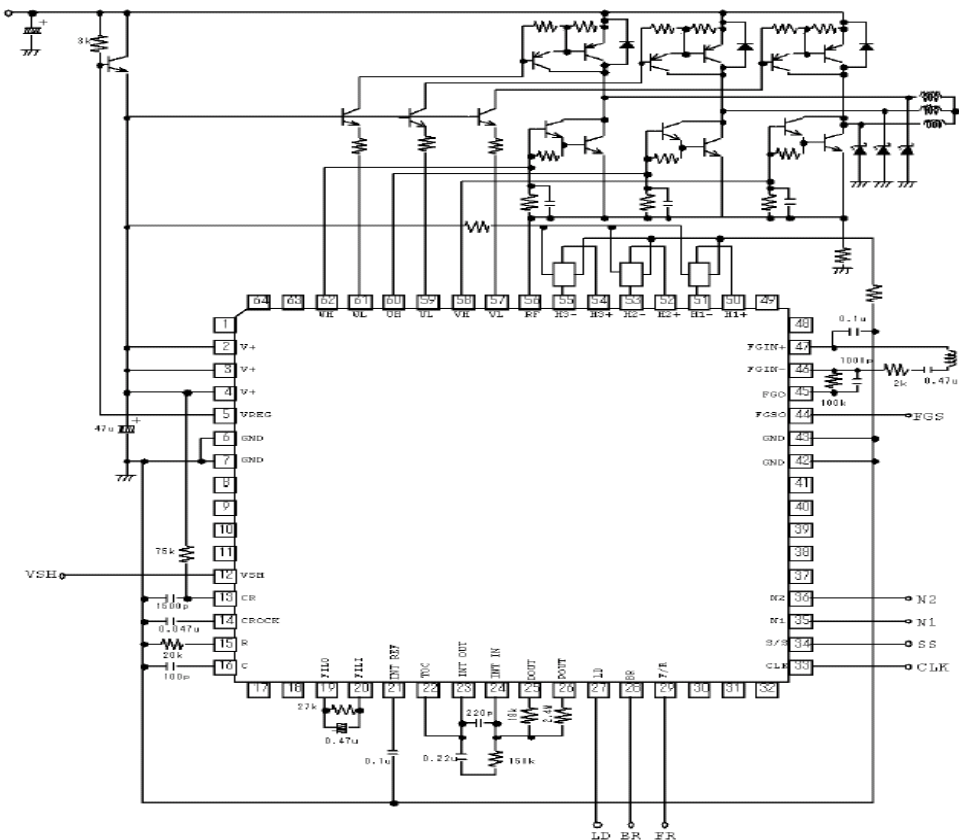
Three-Phase DC Brushless Motor Control IC

The NJW4302 is a high precision PWM control Brushless DC motor controller. It consists of a rotor position decoder for precision communication sequencing, temperature compensated shunt type reference voltage, frequency programmable sawtooth oscillator, internal VCO control for velocity discriminator, three open collector top drivers, and is ideally suited for driving power Bipolar transistors.

Features

- Operating Voltage ($V^+=5V$)
- Internal VCO Control for Velocity Discriminator
- Cycle-By-Cycle Current Limiting
- High Current Drivers Can Control External Three Phase Bipolar Transistor.
- Internal Thermal Shutdown
- Bi-CMOS Technology
- Package Outline TQFP64

NJW4302 Typical Application



NOW Available !

Applications

- Laser Printers
- Copy machines
- Spindle-motor for storage equipments



NJR CORPORATION

A SUBSIDIARY OF NEW JAPAN RADIO COMPANY, LTD.

198 Stauffer Blvd. San Jose, CA 95125

NJR CORPORATION offers Bipolar ICs, CMOS ICs, BiCMOS ICs and GaAs MMICs as well as Saw filters, covering North and South America to provide technical assistance and quick delivery for achieving customer satisfactions. For further information, please contact:

PHONE : (408) - 995-6200 or WWW.NJR.COM

The World's Best Source for High Quality ICs using Bipolar, CMOS, BiCMOS and GaAs Technologies and Saw filters