

JRC SAW Filters

For Keyless Entry Systems

NJR
NEWS

2003 **36**

October 27, 2003

JRC SAW Filters

JRC SAW Filters for Keyless Entry Systems

Introducing JRC SAW Filters!!! JRC is a leader in SAW Filters with over 18 patents in this area. This newsletter highlights JRC's wide-range product offering for the Keyless Entry Systems.

Applications

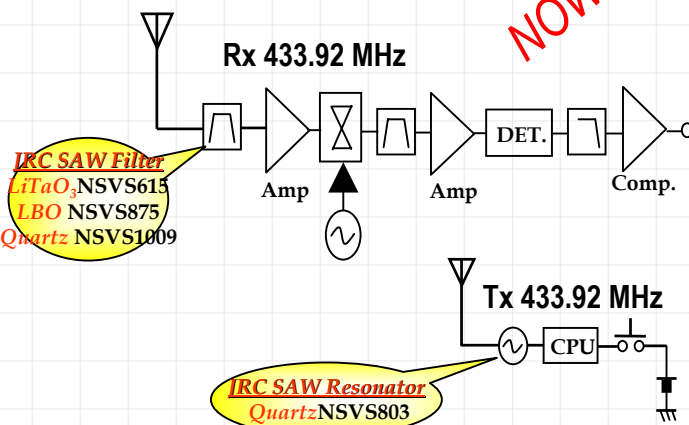
- Keyless entry systems.

Reminder: Don't forget to consider our other SAW Filter application products like GPS, W-LAN, etc.

Features

- High Performance
- Low Insertion Loss
- Low power
- Small Temperature Deviation
- Small-sized package using Flip-chip Technology
- Low Aging rate
- Extended Temperature Range: -40°C to +80°C
- Custom/Semi-custom Design Capabilities

Block Diagram



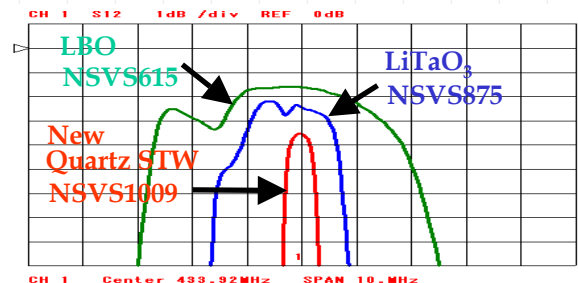
300 MHz Band SAW Filters Line up

center freq f ₀ [MHz]	package size	
	5.2x4.5mm	3.5x3.5mm
304.3	NSVA476	NSVS884
307.9	NSVA393	—
308.925	NSVA512	—
310	NSVA394	—
312.15	NSVA467	—
312.25	NSVA484	—
314	NSVA477	NSVS872
314.35	NSVA478	NSVS681
314.95	NSVA479	NSVS747
315	NSVS639	—
315.8	NSVA449	—
320	NSVA416	—
320.65	NSVS638	NSVS682
399.8	—	NSVS679

400 MHz Band SAW Filters Line up

center freq f ₀ [MHz]	package size	
	5.2x4.5mm	3.5x3.5mm
413.9	NSVA450	—
421.9	—	NSVS612
422.2	NSVA397	—
426	NSVA398	NSVS613
426.42	NSVS657	NSVS806
429.42	NSVA399	NSVS614
433.92	NSVA468	NSVS615
		NSVS875
		NSVS1009
		NSVS1049
434	NSVA447	—
440	NSVA401	NSVS616
447	NSVS825	NSVS680
450.22	NSVA402	—
454.1	NSVA451	—
465	—	NSVS938

Rx Filter Comparison



JRC **NJR CORPORATION**

A SUBSIDIARY OF NEW JAPAN RADIO COMPANY, LTD.

198 Stauffer Blvd. San Jose, CA 95125

NJR CORPORATION offers Bipolar ICs, CMOS ICs, BiCMOS ICs and GaAs MMICs as well as Saw filters, covering North and South America to provide technical assistance and quick delivery for achieving customer satisfactions. For further information, please contact:

PHONE : (408) - 995-6200 or WWW.NJR.COM

The World's Best Source for High Quality ICs using Bipolar, CMOS, BiCMOS, and GaAs Technologies as well as Saw Filters