

JRC SAW Filters For Wireless LAN

NJR
NEWS

2003 **35**

October 24, 2003

JRC SAW Filters

JRC SAW Filters for Wireless LAN

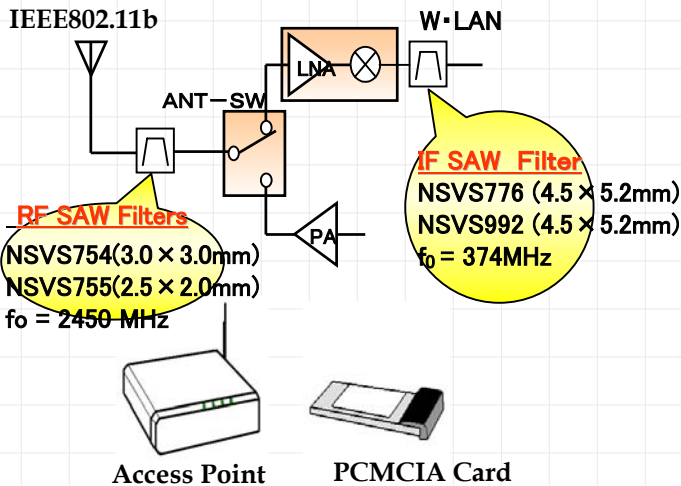
Introducing JRC SAW Filters!!! JRC is a leader in SAW Filters with over 18 patents in this area. This newsletter highlights JRC's product offering for Wireless LAN Applications.

Features

- High Performance
- Low Insertion Loss
- Small Temperature Deviation
- Differential input/output
- 50 or 200 Ω impedance available.
- Small Flip-chip Technology package
- Low Aging rate
- Extended Temperature Range: -30°C to +80°C
- Custom/Semi-custom Design Capabilities

NOW Available!

2.4 GHz W-LAN Application

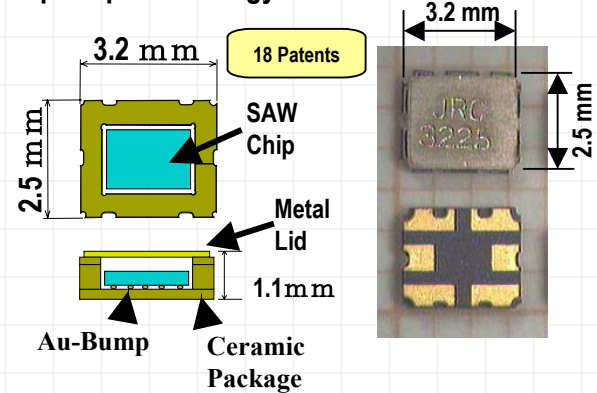


Applications

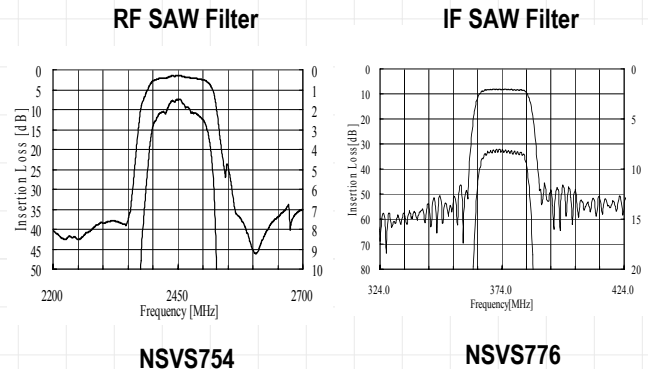
- Wireless LAN.

Reminder: Don't forget to consider our GaAs, DC Motor ICs, and Commodity products.

Flip Chip Technology



W-LAN Application Characteristics



JRC **NJR CORPORATION**
A SUBSIDIARY OF NEW JAPAN RADIO COMPANY, LTD.

198 Stauffer Blvd. San Jose, CA 95125

NJR CORPORATION offers Bipolar ICs, CMOS ICs, BiCMOS ICs and GaAs MMICs as well as Saw filters, covering North and South America to provide technical assistance and quick delivery for achieving customer satisfactions. For further information, please contact:

PHONE : (408) - 995-6200 or WWW.NJR.COM

The World's Best Source for High Quality ICs using Bipolar, CMOS, BiCMOS, and GaAs Technologies as well as Saw Filters