

Universal Dual H-Bridge Driver

60V, 1.3A

NJR
NEWS

2003 **33**

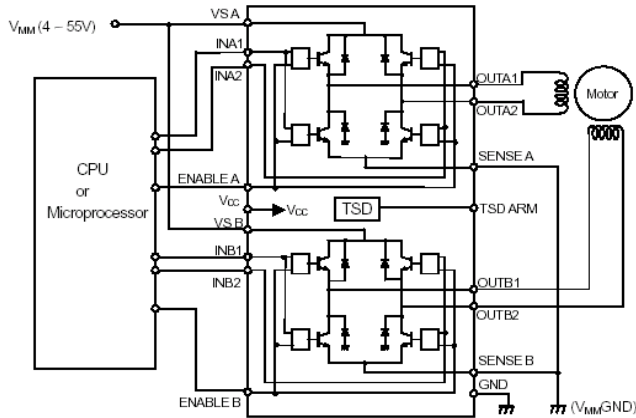
October 22, 2003

NJU2670

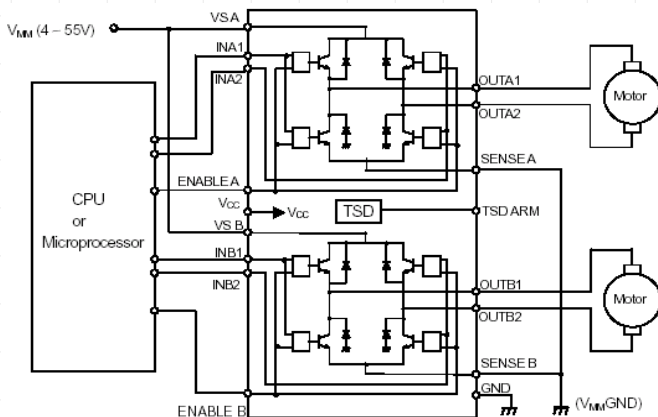
Universal Dual H-Bridge Driver

The NJM2670 is a general-purpose 60V dual H-bridge drive IC. It consists of a pair of H-bridges, a thermal shut down circuit and an alarm output. The alarm output can detect application problems and the system reliability will be significantly improved if monitored by a Micro Processor. Therefore, it is suitable for two-phase stepper motor applications driven by a microprocessor.

NJM2670 Typical Applications



Bipolar Stepper Motor



Single Phase DC Motor

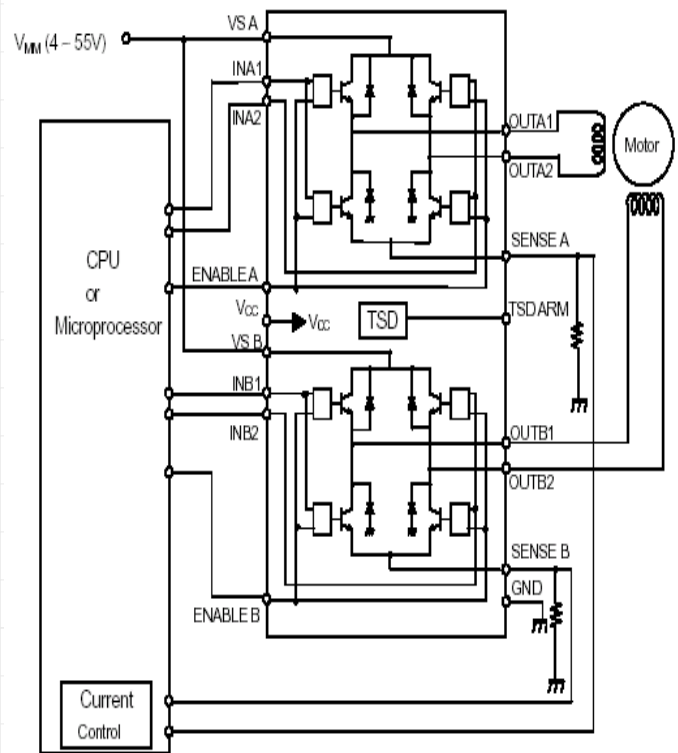
Features

- Wide Voltage Range (4V to 60V)
- Wide Range of Current Control (5 to 1500mA)
- Thermal overload Protection
- Dead Band Protector
- Package Outline (DIP-22, EMP-24)

Applications

- General DC motor applications

NOW Available!



Current Control Application for Bipolar Stepper Motor

JRC NJR CORPORATION
A SUBSIDIARY OF NEW JAPAN RADIO COMPANY, LTD.

198 Stauffer Blvd. San Jose, CA 95125

NJR CORPORATION offers Bipolar ICs, CMOS ICs, BiCMOS ICs and GaAs MMICs as well as Saw filters, covering North and South America to provide technical assistance and quick delivery for achieving customer satisfactions. For further information, please contact:

PHONE : (408) - 995-6200 or WWW.NJR.COM

The World's Best Source for High Quality ICs using Bipolar, CMOS, BiCMOS and GaAs Technologies and Saw filters